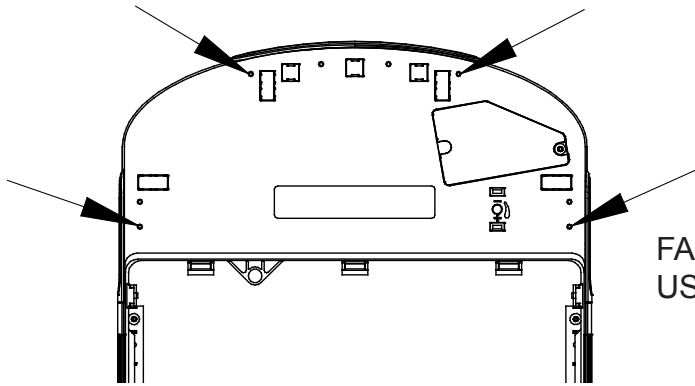


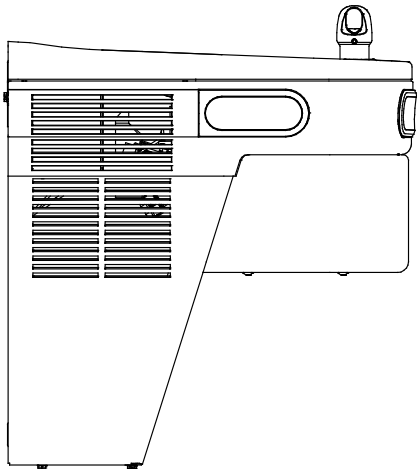
# CANE APRON INSTALLATION

For use on EZ/LZ Light Gray and Stainless Steel style models  
and HTVZ Platinum Vinyl and Stainless Steel style models



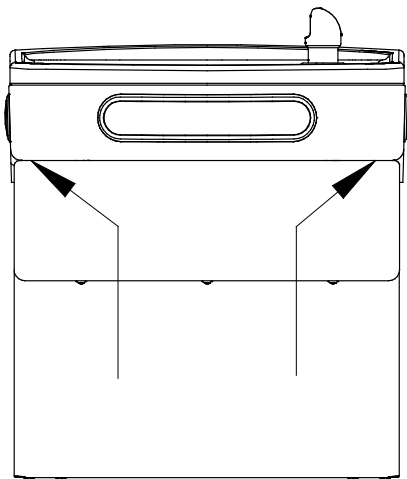
## STEP 1

FASTEN (4) SCREWS INTO HOLES AS SHOWN.  
USE COVER PLATE TO GAUGE DEPTH.



## STEP 2

ALIGN SLOTS ON APRON TO SCREW HEADS.  
PUSH APRON ONTO SCREW HEADS. IF  
APRON DOES NOT SNAP INTO PLACE  
REMOVE BOTTOM COVER, SEE STEP 3.



## STEP 3

PUSHING BACK CORNERS OF APRON OUT  
TO CLEAR SNAPS IN REAR WILL EASE  
INSTALLATION.

## STEP 4

ATTACH BOTTOM COVER TO APRON WITH  
(6) SCREWS AND CLIPS PROVIDED.

TO REMOVE:  
REMOVE BOTTOM COVER, PUSH REAR CORNERS  
OUT AND PULL FORWARD.